

Illustration - Type - E

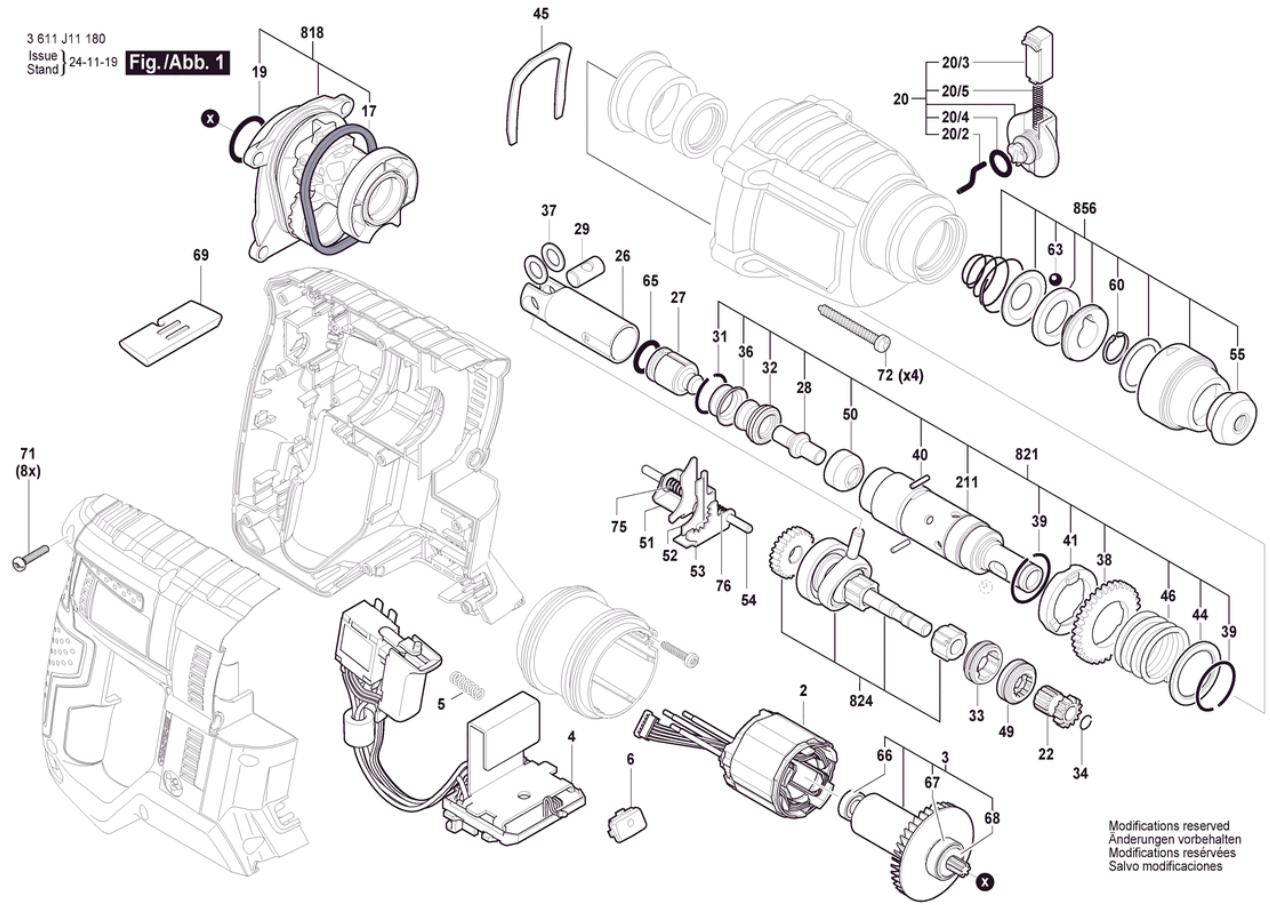
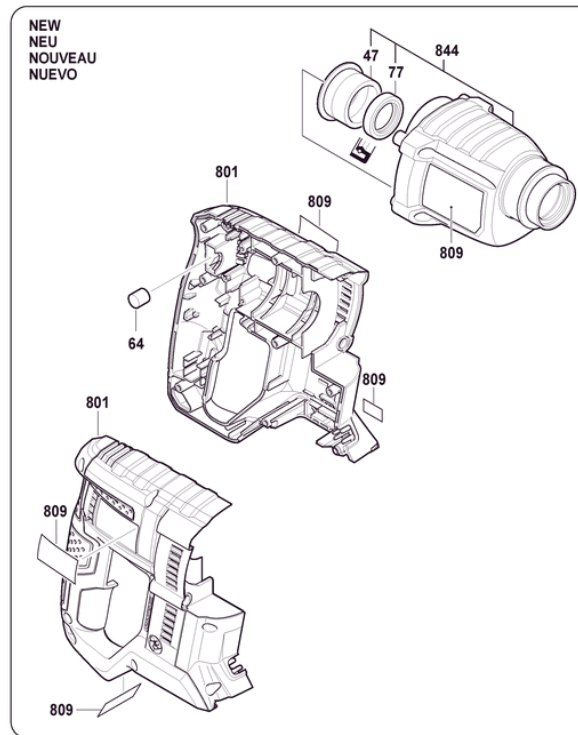
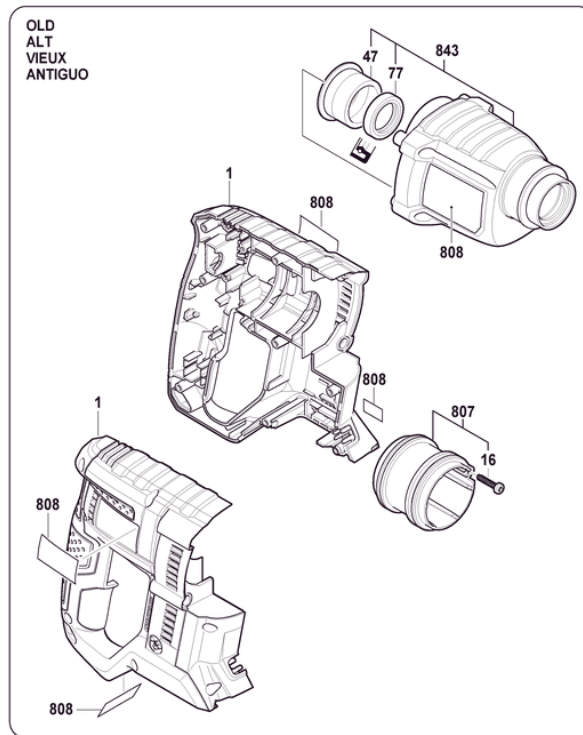


Illustration - Type - E

3 611 J11 180
Issue | 24-11-19
Stand |

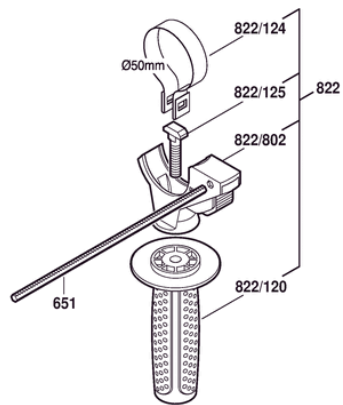
Fig./Abb. 2



Modifications reserved
Änderungen vorbehalten
Modifications réservées
Salvo modificaciones

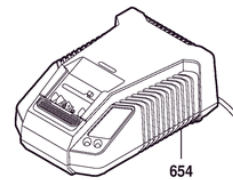
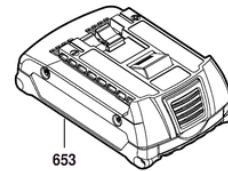
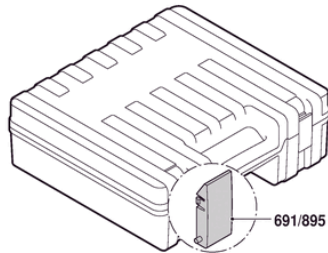
Illustration - Type - E

3 611 J11 180
 Issue | 24-11-19
 Stand } **Fig./Abb. 3**



Austrastmoment 28,0 - 8,0 Nm
 Slipping point of clutch 28,0 - 8,0 Nm
 Couple de glissement 28,0 - 8,0 Nm
 Momento de desenclavamiento 28,0 - 8,0 Nm

Anzugsmomente
 Torque values
 Couple de serrage
 Pares de apriete
 Pos. 16 = 1,2 - 1,7 Nm
 71 = 1,6 - 2,0 Nm
 72 = 2,2 - 2,7 Nm
 822/120 = 2,7 - 4,7 Nm



Modifications reserved
 Änderungen vorbehalten
 Modifications réservées
 Salvo modificaciones

Spare parts list

Item	Part Number	Description	Illustration
2	1 619 P15 329	Stator	1
3	1 619 P15 328	Rotor	1
4	1 600 A02 0T1	Electronic Module	1
5	2 604 690 055	Compression Spring	1
6	1 619 P13 744	Lens	1
17	1 610 290 108	O-Ring	1
19	1 610 210 184	O-Ring 22,0X2,5 MM	1
20	1 612 026 151	Clamp Handle BLACK	1
20/2	1 614 690 009	Driver Pin	1
20/3	1 612 026 035	Switch Button RED	1
20/4	1 610 210 046	O-Ring 10,5X2,7 MM	1
20/5	1 614 611 006	Compression Spring	1
22	1 619 PS1 115	Gear Sleeve	1
26	1 618 700 083	Hammer Piston	1
27	1 618 710 085	Striker	1
28	1 613 124 084	Striker Pin	1
29	1 613 100 034	Piston Pin	1
31	1 619 P09 816	Retaining ring	1
32	1 610 508 051	Rubber Bushing	1
33	1 615 820 103	Switching Element	1
34	1 619 P00 829	Retaining ring	1
36	1 610 551 008	Holding Plate	1
37	1 610 100 016	Guide Disc	1
38	1 616 317 084	Cylindrical Gear	1
39	1 614 601 055	Retaining ring	1
40	1 613 100 032	Straight Pin	1
41	1 610 102 072	Ratchet Disc	1
44	1 610 102 092	Friction Washer	1
45	1 611 016 003	Holding Plate	1
46	1 614 630 003	Compression Spring	1
49	1 615 820 104	Switching Element	1
50	1 619 P11 562	Guide Bushing	1
51	1 610 021 004	Shift Plate	1
52	1 610 021 006	Shift Plate	1
53	1 610 021 005	Shift Plate	1

Spare parts list

Item	Part Number	Description	Illustration
54	1 613 023 005	Guide Rod	1
55	1 610 508 052	Protective Cap	1
60	1 614 601 077	Spring retaining ring	1
63	1 903 230 013	Ball DIN 5401-Ø7MM-III-ST	1
65	1 610 210 244	O-Ring 13,0X3,0 MM	1
66	1 619 P12 083	Ball Bearing	1
67	1 619 P16 119	groove ball bearing	1
68	1 600 100 037	Plain Washer	1
69	1 619 P13 747	Change-Over Switch	1
71	2 603 490 023	Torx Oval-Head Screw 4X20	1
72	1 619 P09 645	Torx Oval-Head Screw	1
75	1 614 643 025	Compression Spring	1
76	1 614 643 023	Compression Spring	1
211	1 619 P09 815	Hammer Pipe	1
818	1 619 P15 677	Intermediate Flange	1
821	1 619 P09 617	Hammer Pipe	1
824	1 617 000 6BC	Jack Shaft	1
856	1 617 000 6D3	Protection Sleeve	1
1	1 619 P15 614	Motor Housing	2
16	2 603 490 022	Screw 4X16	2
47	1 610 202 031	Plain bearing	2
64	2 603 100 056	Damping rubber	2
77	1 610 283 048	Shaft Seal	2
801	1 619 PS0 997	Motor Housing	2
807	1 619 P15 676	Intermediate housing	2
808	1 619 P16 105	Label	2
809	1 619 P18 408	Label	2
843	1 619 P15 678	Gear Housing	2
844	1 619 P18 407	Gear Housing	2
651	1 613 001 009	Depth-Gauge SW 6X210 MM	3
653	1 607 A35 0M0	Battery Pack GBA 18V 4.0AH	3
653	2 607 337 069	Battery Pack	3
654	2 607 226 251	Fast Charger	3
691/895	1 619 P14 336	Latch	3
822	1 602 025 08X	Auxiliary Handle	3

Spare parts list

Item	Part Number	Description	Illustration
822/120	1 602 025 07H	Auxiliary Handle	3
822/124	1 611 316 021	Clamping Band Ø50 MM	3
822/125	1 613 490 002	T-Head Bolt M8X40 MM	3
822/802	1 617 000 475	Support clamp	3
892	1 615 430 020	Grease Tube 225 ML	3
893	1 615 430 001	Grease Tube 225 ML	3